

# Constant Current LED Power Supply

SLD23-600IBD-UN  
SLD45-1150IBD-UN



## Product description:

This type of compact constant current power supply with 120-240Vac input voltage has very high efficiency and low power loss.

Designed with specially high power factor and low output ripple, it can be used built-in into track lighting. The output current can be set by the DIP switch, and the output current can be switched every 50mA from 50mA from 200-600@23W version, 400-1150@45W version.

It conforms to SELV standard and the built-in protection circuit will shut down the converter in case of such faults as: open circuit, short circuit, over load. The power supply will restart automatically after fault correction.

In over temperature protection, the power supply will break down in case of interior or exterior temperature extremely exceed. With new technology design inside, these drivers can comply with the NEW harmonic requirements from EN61000-3-2:2019 in all load and dimming range.

## Standards:

EN61347-1  
EN61347-2-13  
EN61547  
EN55015  
EN61000-3-2  
EN61000-3-3  
EN62384  
EN62493  
UL8750  
UL1310

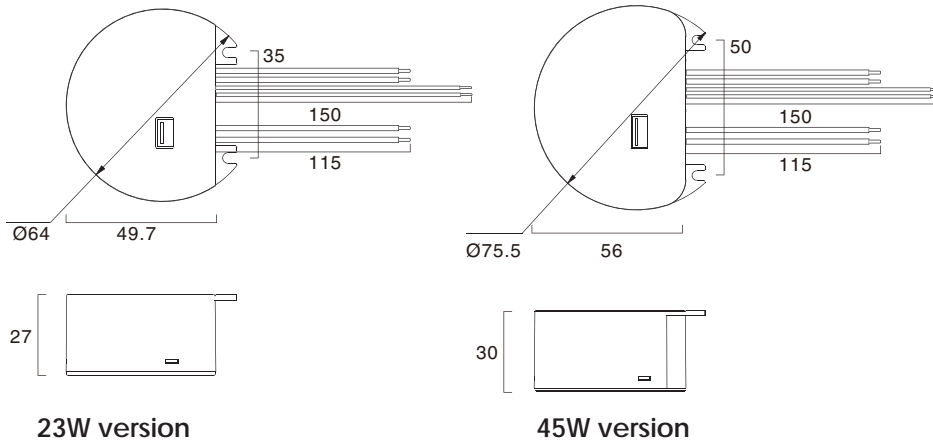
## Characteristics:

- High thermal conduct plastic housing
- Class II protection against electric shock from direct and indirect contact
- SELV output
- Optional wire-to-wire connector for quick assembling
- Open circuit, short circuit, over load protection
- Auto restart after removal of fault conditions
- Extreme high temperature protection with break down
- ECO design, comply with ERP directives
- Comply with DALI2.0
- Warranty : 5 Years

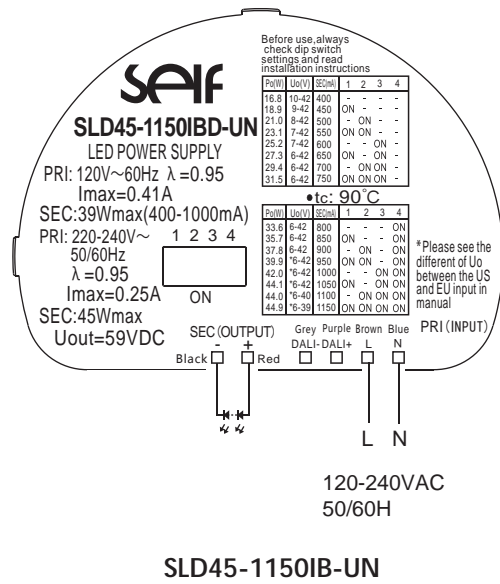
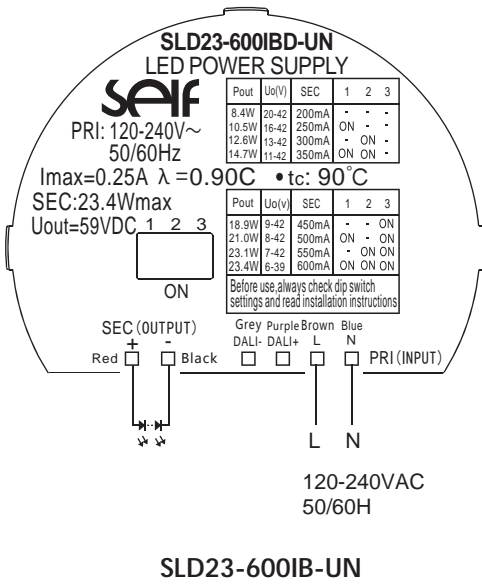
## Specifications:

Model	SLD23-600IBD-UN	SLD45-1150IBD-UN	
<b>Output</b>	turn on time(S) <sup>1</sup>	≤0.5	≤0.5
	output current(mA) <sup>1</sup>	200\250\300\350\450\500\550\600	400\450\500\550\600\650\700\750\800 \850\900\950\1000\1050\1100\1150
	output current tolerance <sup>2</sup>	10%	10%
	ripple current(<200Hz) <sup>3</sup>	≤3%	≤3%
	working voltage range(V)	6-42(39@600mA)	6-42(40@1100mA,39@1150)
	Max. output current peak (non-repetitive)	below Select current*1.2@any condition	below Select current*1.2@any condition
	dimming interface	Supplementary insulation DALI2.0 interface	
	dimming range	1%-100% linear & exponent	
<b>Input</b>	rated supply voltage(Vac)	120-240	120-240
	voltage range(Vac)	110-264	110-264
	input voltage DC range	176-280VDC	176-280VDC
	line frequency(Hz)	0/50/60	0/50/60
	input current(mA) <sup>1</sup>	250	410
	Full load efficiency(%)	85%	88%
	power factor <sup>1</sup>	0.7-0.95 full range	0.7-0.95 full range
	inrush current(Ipk) <sup>1</sup>	Pending	10A/25us
<b>Protection</b>	short circuit protection	hiccup mode,restart automatically after fault correction.	
	over temperature protection	break down	
	over load capacity	exceed maximum rated output range+2V	
	over load protection	hiccup mode,restart automatically after fault correction.	
	surge capacity	L-N: 1KV	
<b>Ambient and Life</b>	ta (C)	Max. 60 @500mA	Max. 60 @950mA
	tc max. (C)	90	
	Storage Temperature (C)	-30...80	
	ambient humidity range	5%...85%RH, Not condensing	
	nominal life-time(hrs)	50'000@tc 60 C, 500mA	50'000@tc 60 C, 950mA
<b>Other</b>	weight(g)	125	185
	dimensions (LxWxH)(mm)	φ64.x27	φ75.5x30
	casing material	Plastic	Plastic
	housing colour	black	black
	type of protection	IP20	IP20
	protection class	CLASS II	CLASS II
<b>Note</b>	1. At 230Vac,50Hz,full load. 2. Tolerance:includes set up tolerance,line regulation and load regulation. 3. At 230Vac,50Hz,LED load,below 200Hz		

Dimensions(mm):



Wiring diagram:



## Sales & Technical Support:

### **Self Electronics Co.,Ltd.**

Add: No. 1345 Ju Xian Road, Ningbo Hi Tech Park, Ningbo, China  
Tel: 0086-574-28805765,28805658(For English Assistance)  
0086-574-28805678 (For Chinese Assistance)  
Fax: 0086-574-28805656  
E-mail: sales@self-ecg.com  
<http://www.self-ecg.com>

### **Self Electronics Co.,Ltd.,Shenzhen Office**

Add: Room2007,Xinglang Xuan,Xinghe Mingju,Fuming Road,Futian District,Shenzhen  
Tel: 0086-755-83558850, 83558851  
Fax: 0086-755-83558840

### **SELF ELECTRONICS GERMANY GMBH**

Add:August-Horch-Str. 7,51149 Koeln  
Tel: 0049 2203 18501-0  
Fax: 0049 2203 18501-199  
E-mail: saleseu@self-electronics.com

\*Due to continuous improvements and innovations,specifications are subjected to change without notice.